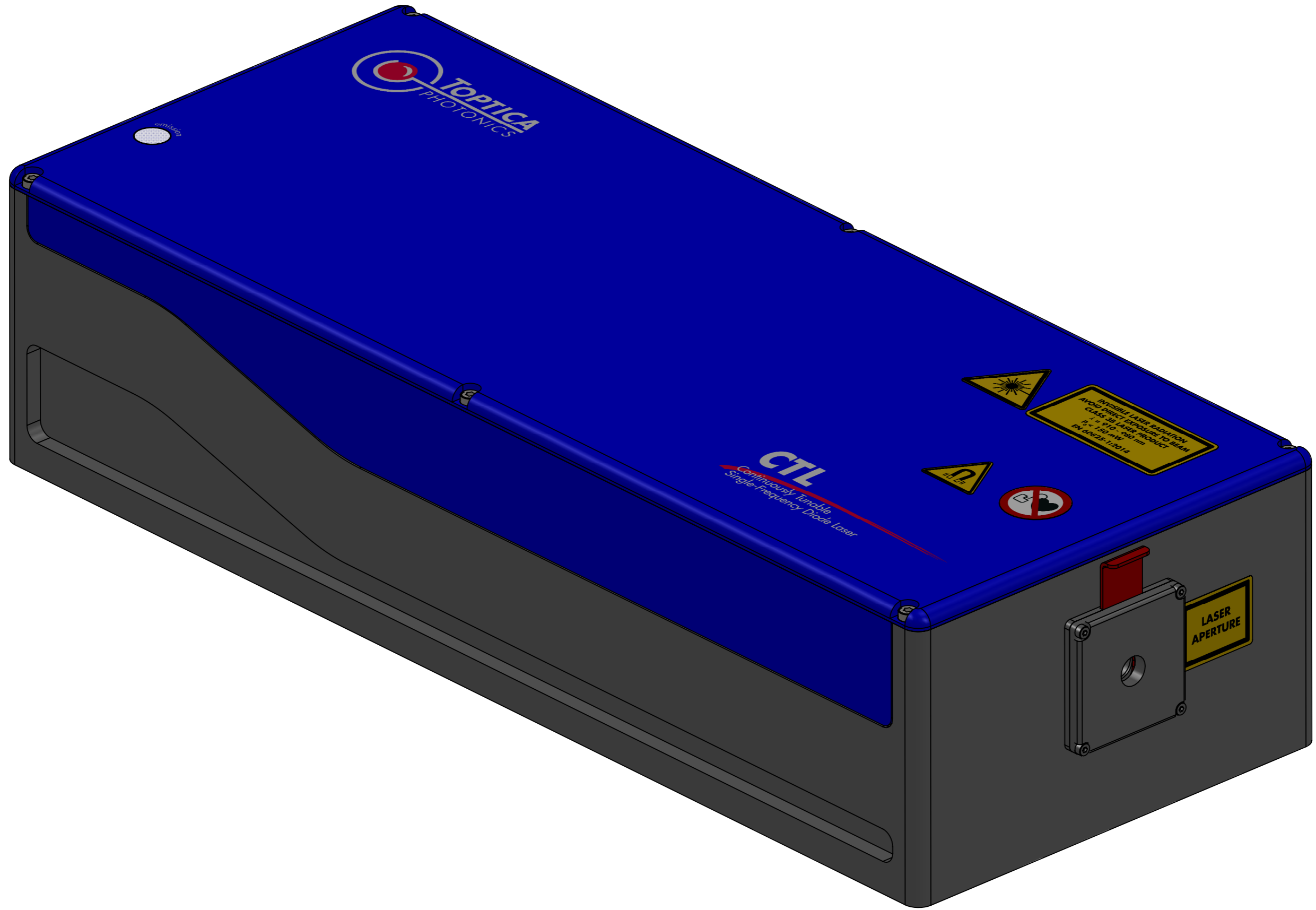


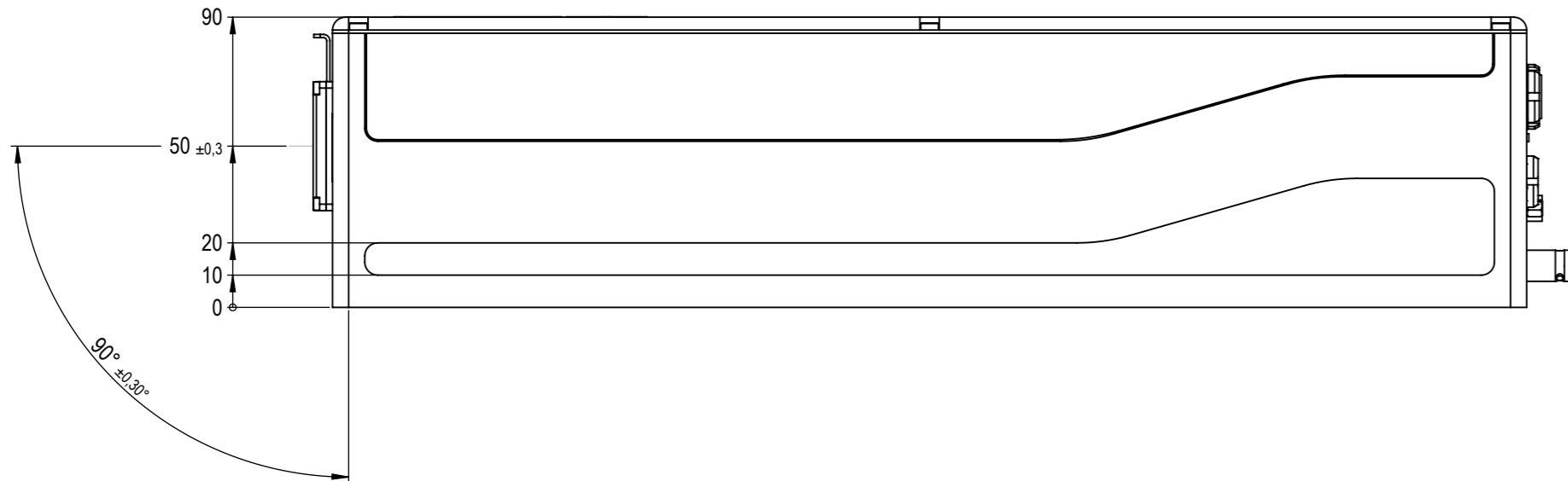
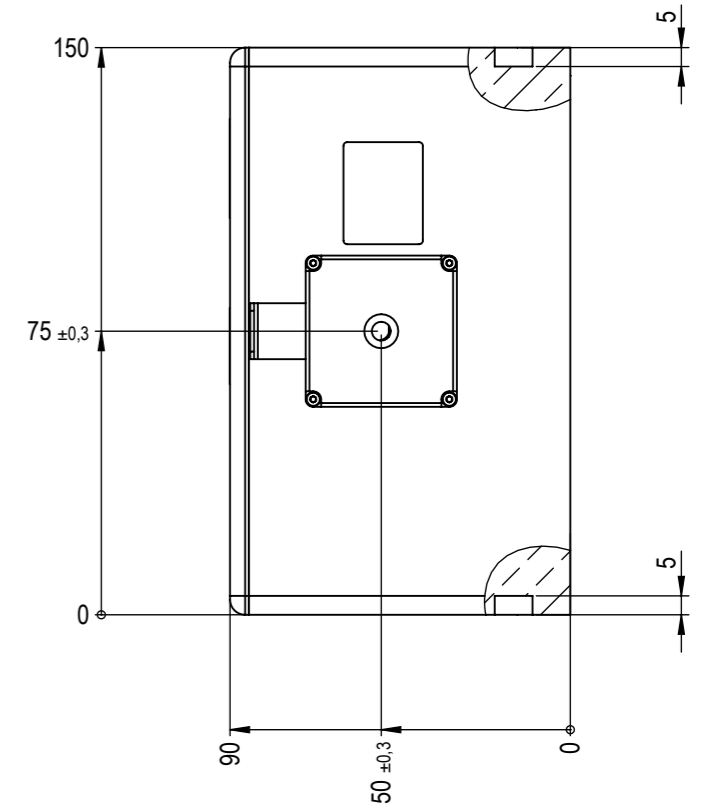
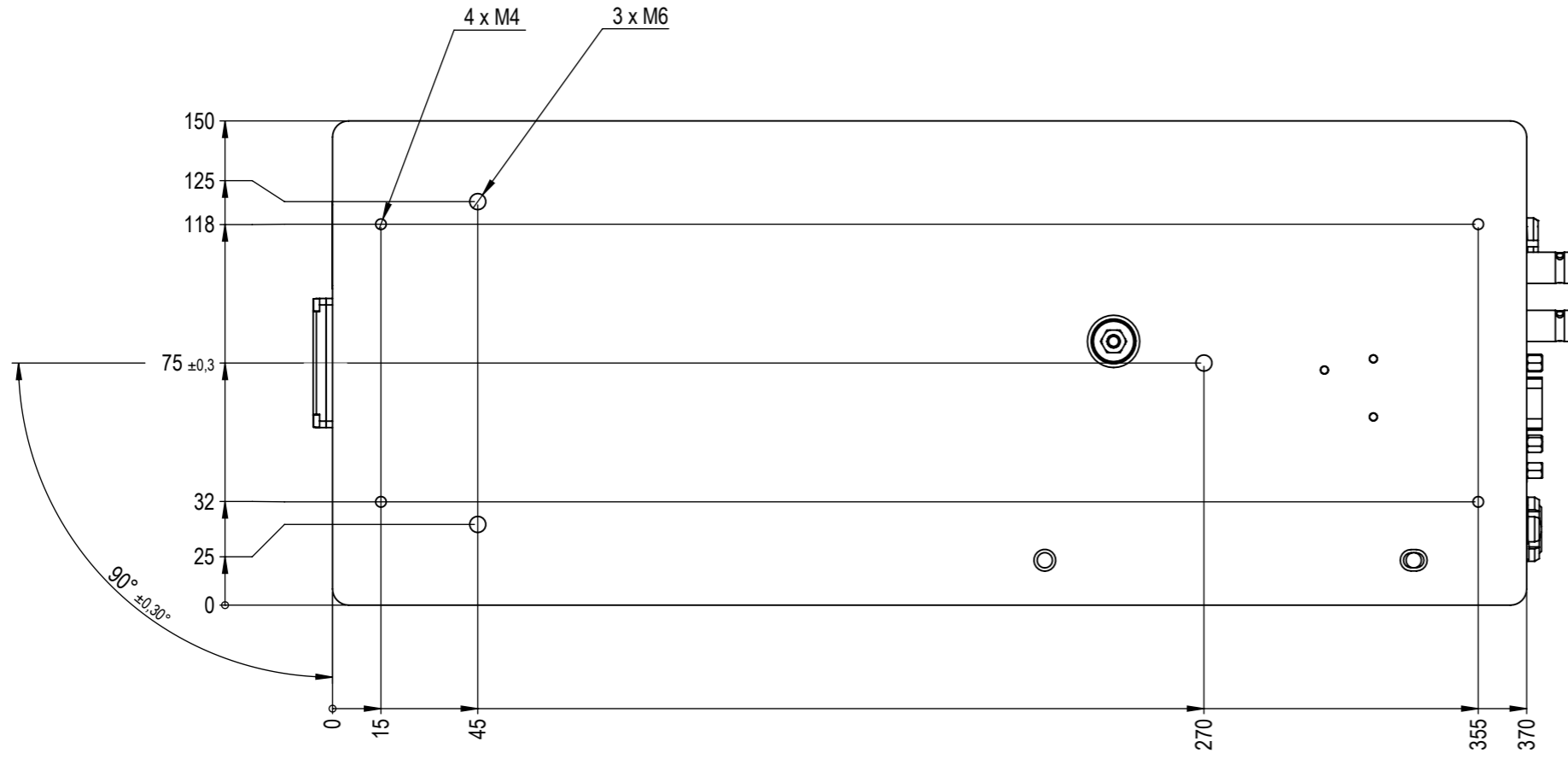




NOTE: This document is property of the company TOPTICA Photonics AG. All copyrights, trademarks, patents and other rights in connection herewith are expressly reserved to the company TOPTICA Photonics AG and no license is created hereby.



	title	scale
	CTL	1:1.5
<small>TOPTICA Photonics AG Tel.: 089-85837-0 Lochhamer Schlag 19 Fax.: 089-85837-200 82166 Grafelfing Web: www.toptica.com</small>	format	A3
dimensions are in mm	general tolerance	projection
view 3D	DIN ISO 2768 - fH	
	date	sheet
	10.10.2017	1/2

NOTE: This document is property of the company TOPTICA Photonics AG. All copyrights, trademarks, patents and other rights in connection herewith are expressly reserved to the company TOPTICA Photonics AG and no license is created hereby.



 <small>TOPTICA Photonics AG Tel.: 089-85837-0 Lochhamer Schlag 19 Fax.: 089-85837-200 82166 Grafelfing Web: www.toptica.com</small>	title	scale
	CTL	1:2
dimensions are in mm	general tolerance	projection
view DRAWINGS	DIN ISO 2768 - fH	
	date	sheet
	10.10.2017	2/2