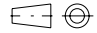
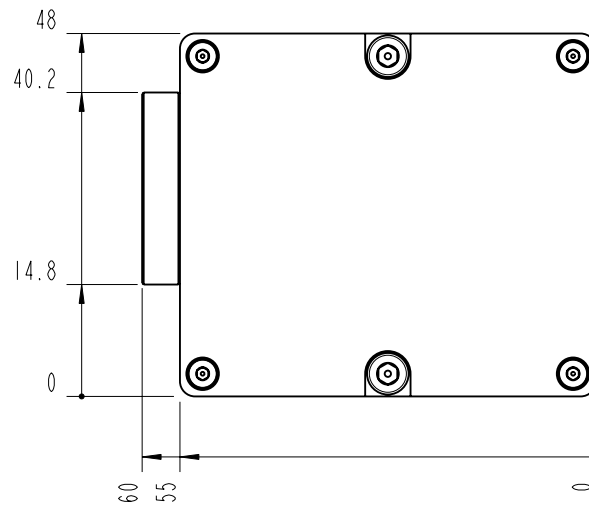

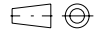
		Lochamer Schlag 19 D-82166 Graefelfing www.toptica.com Phone: +49(0)189 85837-0 Fax: +49(0)189 85837-200	title: APP J
page: 1 von 7	scale: 1:1	DIN 6-1  dimensions are in mm	dimensions without tolerance indication: DIN ISO 2768 mH
The information contained in this drawing is the sole property of TOPTICA Photonics AG. Any reproduction in part or as a whole without the written permission of TOPTICA Photonics AG is prohibited.			

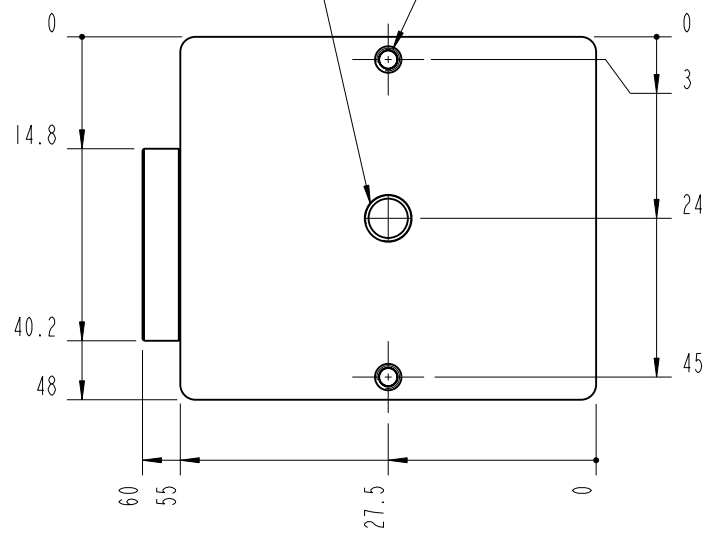


- TOP -



		Lochamer Schlag 19 D-82166 Graefelfing www.toplica.com Phone: +49(0)189 85837-0 Fax: +49(0)189 85837-200		title: APP J	
		page: 2 von 7	scale: 1:1	DIN 6-1  dimensions are in mm	dimensions without tolerance indication: DIN ISO 2768 mH
The information contained in this drawing is the sole property of TOPTICA Photonics AG. Any reproduction in part or as a whole without the written permission of TOPTICA Photonics AG is prohibited.					

thread diameter = M6
thread depth = 10 mm

thread diameter = M3
thread depth = 10 mm
(2x)

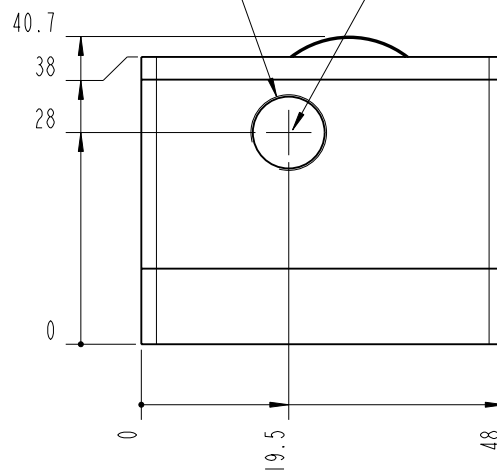


- BOTTOM -


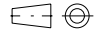
		Lochamer Schlag 19 D-82166 Graefelfing www.toptica.com Phone: +49(0)189 85837-0 Fax: +49(0)189 85837-200	title: APP J
page: 3 von 7	scale: 1:1	DIN 6-1  dimensions are in mm	dimensions without tolerance indication: DIN ISO 2768 mH
The information contained in this drawing is the sole property of TOPTICA Photonics AG. Any reproduction in part or as a whole without the written permission of TOPTICA Photonics AG is prohibited.			

thread diameter = M10x1
 thread depth = 4,5 mm

beam output



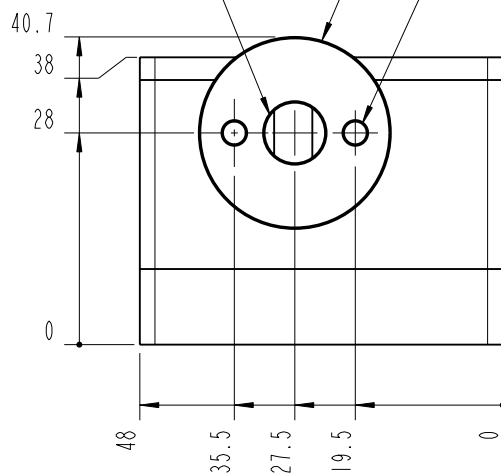
- FRONT -

		Lochamer Schlag 19 D-82166 Graefelfing www.toptica.com Phone: +49(0)189 85837-0 Fax: +49(0)189 85837-200		title: APP J	
		page: 4 von 7	scale: 1:1	DIN 6-1  dimensions are in mm	dimensions without tolerance indication: DIN ISO 2768 mH
The information contained in this drawing is the sole property of TOPTICA Photonics AG. Any reproduction in part or as a whole without the written permission of TOPTICA Photonics AG is prohibited.					


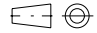
hole diameter = 8 mm
hole depth = 10 mm

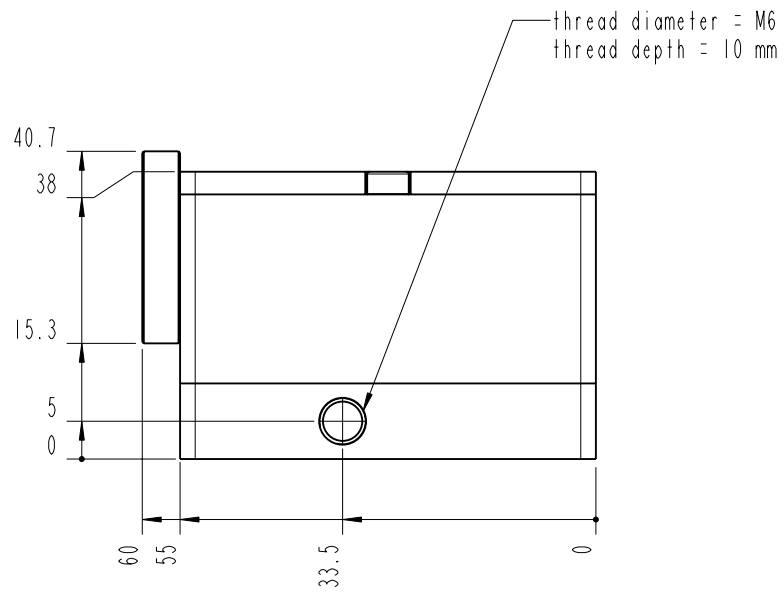
shaft diameter = 25,4 mm = 1 Zoll
shaft depth = 5 mm

hole diameter = 3 mm
hole depth = 5 mm
(2x)





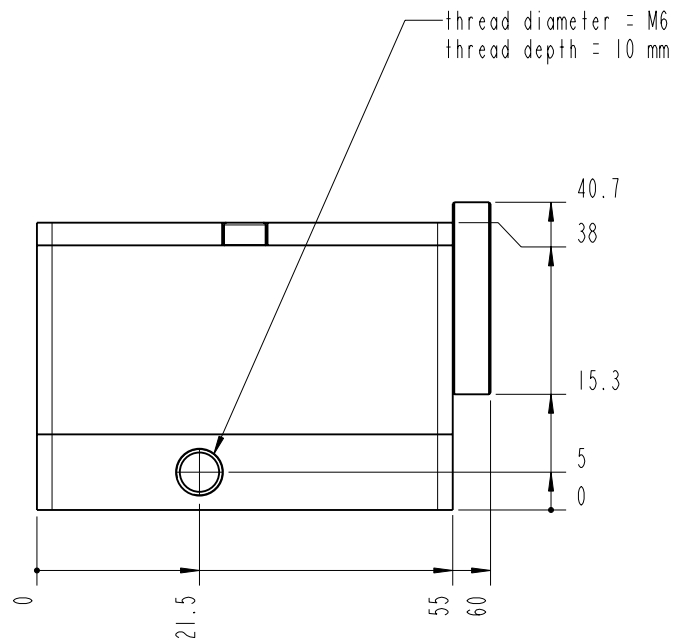
- BACK -

		Lochamer Schlag 19 D-82166 Graefelfing www.toptica.com Phone: +49(0)189 85837-0 Fax: +49(0)189 85837-200		title: APP J	
		page: 5 von 7	scale: 1:1	DIN 6-1  dimensions are in mm	dimensions without tolerance indication: DIN ISO 2768 mH
The information contained in this drawing is the sole property of TOPTICA Photonics AG. Any reproduction in part or as a whole without the written permission of TOPTICA Photonics AG is prohibited.					


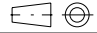


- RIGHT -

		Lochamer Schlag 19 D-82166 Graefelfing www.toptica.com Phone: +49(0)189 85837-0 Fax: +49(0)189 85837-200	title: APP J
page: 6 von 7	scale: 1:1	DIN 6-1  dimensions are in mm	dimensions without tolerance indication: DIN ISO 2768 mH
The information contained in this drawing is the sole property of TOPTICA Photonics AG. Any reproduction in part or as a whole without the written permission of TOPTICA Photonics AG is prohibited.			



- LEFT -

		Lochamer Schlag 19 D-82166 Graefelfing www.toptica.com Phone: +49(0)189 85837-0 Fax: +49(0)189 85837-200		title: APP J	
		page: 7 von 7	scale: 1:1	DIN 6-1  dimensions are in mm	dimensions without tolerance indication: DIN ISO 2768 mH
The information contained in this drawing is the sole property of TOPTICA Photonics AG. Any reproduction in part or as a whole without the written permission of TOPTICA Photonics AG is prohibited.					